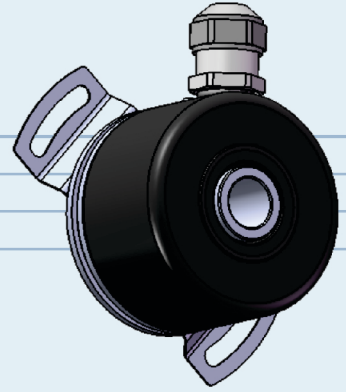


CH 360

COMMUTATION
HOLLOW SHAFT ENCODER

Compact Construction
Shaft Mounted
3 Phase Commutation Signals
DC Motor Commutation Signals
200 kHz Maximum Frequency



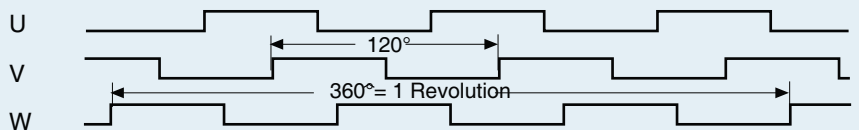
ELECTRICAL SPECIFICATIONS

Supply Voltage	5 - 28 VDC
Current Consumption	100 mA (max)
Output Circuit	Push-Pull, RS 422A
Impulse Frequency	300 kHz (max)
Signal Level (high)	Vcc - 0.7 Volt
Signal Level (low)	0.25 Volt (max)
Short Circuit Protection	100%

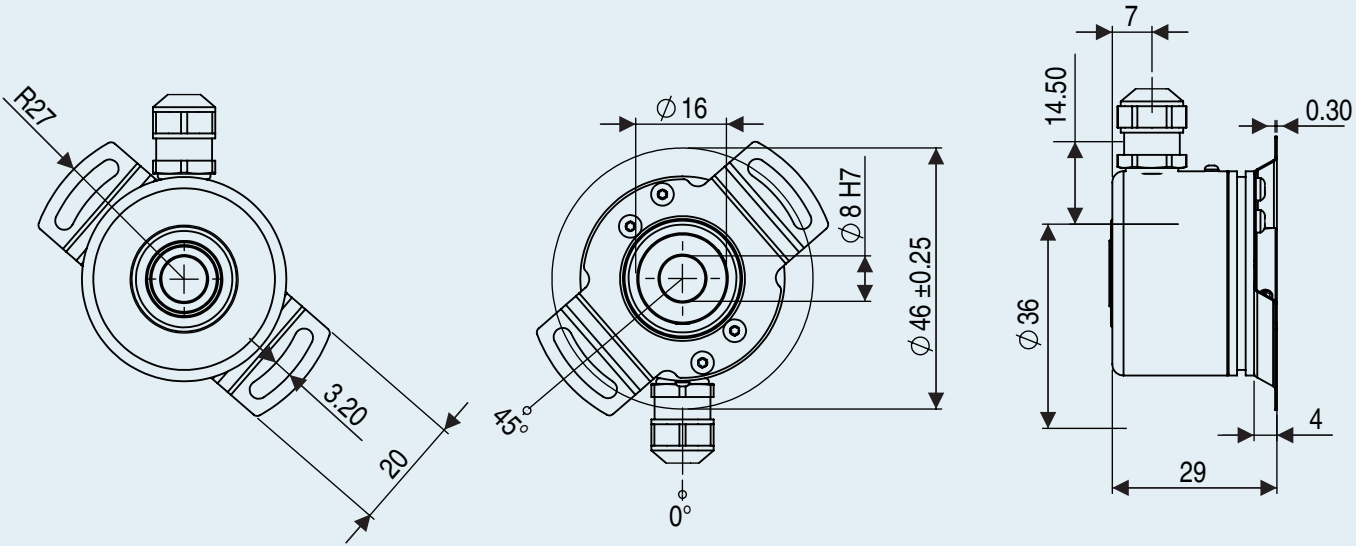
MECHANICAL SPECIFICATIONS

Cover	Aluminum
Body	Aluminum
Shaft	Stainless Steel
Speed	6000 RPM Max.
Torque	> 0.04 Nm
Loading	Axial 20 N, Radial 30 N
Protection	IP 65
Temperature	-20°...+70° C (-4°...+158° F) +100° C (+212° F) Optional
Weight	130 g (0.27 lb)

OUTPUT SIGNALS



Commutation signal shown in the CW direction



ORDERING CODE

CH 360 - -
 a b c d e f g h Pulses Per Revolution

a Group Function CH=Commutation Hollow Shaft	e Connection Type 0=6' (2Mtr) Cable
b Basic Series Number 360	f Connection Location R=Radial
c Shaft Size 06=06 mm, 08=08 mm, 10=10 mm AA=1/4", AB=3/8"	g Output Signals G=U+V+W H=U+V+W+Complementary
d Mechanical Options 0=None	h Output Circuit Type 3=Push-Pull Line Driver 5-28 VDC

Notes:
 Special functions and designs will be designated by a 4 digit code at the end of the part number. Consult factory for further details

CONNECTIONS

Function	Cable Colour Code
0 Volt	white
+ Volt	brown
U	green
V	yellow
W	grey
\bar{U}	pink
\bar{V}	blue
\bar{W}	red