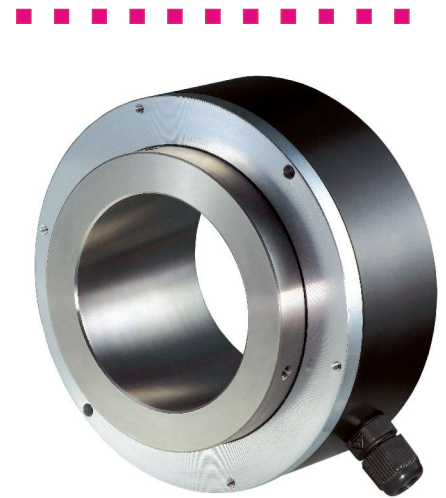


CHARACTERISTICS

- Housing 120 mm
- Shaft Mounted and Heavy Duty Design
- Shaft Bore Diameter from 40 to 65 mm
- Resolution 1024 ppr or 2048 ppr
- Supply Voltage 5 VDC

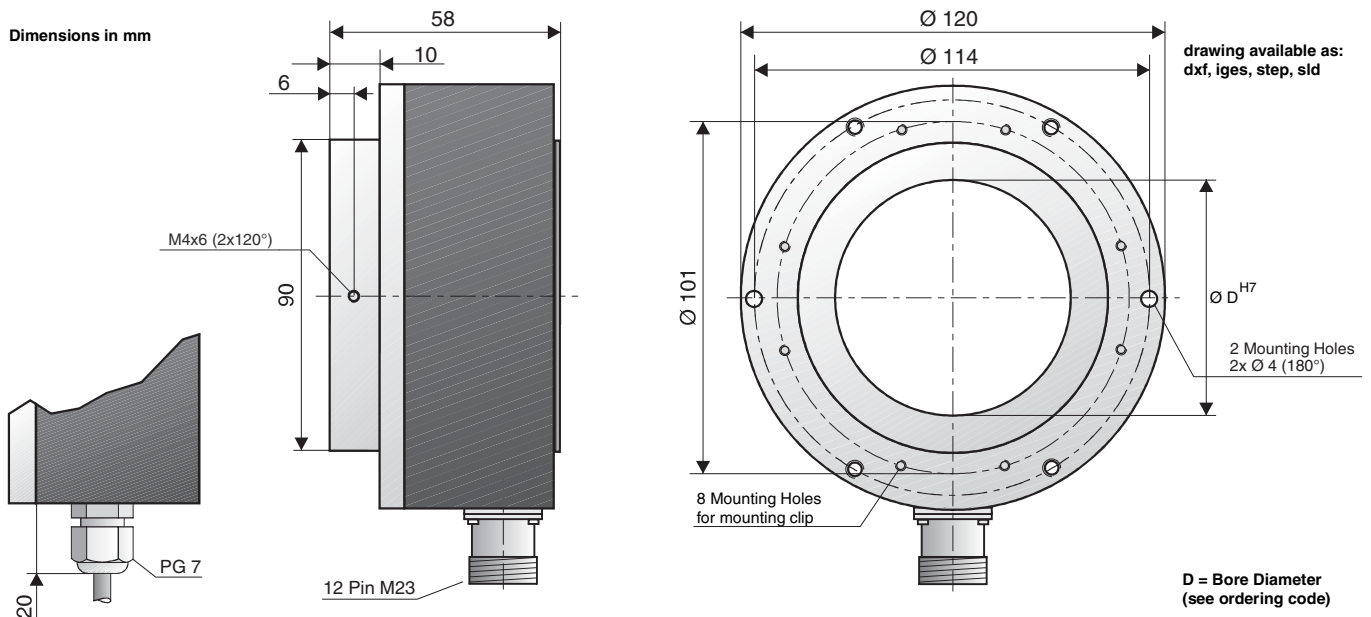
MECHANICAL SPECIFICATIONS

Cover & Body	Aluminum
Shaft	Stainless Steel
max. Speed	4000 RPM
Mass moment of inertia	220 · 10 ⁻⁶ kgm ² (Bore Sizes D= 50mm) 215 · 10 ⁻⁶ kgm ² (Bore Sizes D= 65mm)
Starting Torque (at 25°C)	> 0.2 Nm
max. Loading on Shaft	Axial 60 N, Radial 80 N
Shock resistance (6 ms)	≤ 1000 m/s ²
Vibration resistance (55 - 2000 Hz)	≤ 200 m/s ² (Cable) ≤ 100 m/s ² (Plug)
Protection Rate (DIN EN 60529)	IP 65
Operating Temperature	-20° C to +70° C
Weight	ca. 1.6 kg



DIMENSIONS

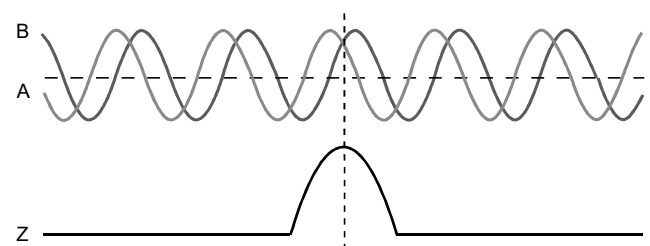
Dimensions in mm



ELECTRICAL SPECIFICATIONS

Supply Voltage	5 VDC
Current Consumption (no load)	max. 40 mA
Output Circuit	Op-Amp
Pulse frequency	max. 100 kHz
Signal Level (high)	Vcc - 0.7 Volt
Signal Level (low)	max. 0.25 Volt
Short Circuit Protection	100%
Reverse polarity protection per channel	100%
Output-Signals	Sin/Cos 1Vpp

SIGNALS



A leads B in the Clockwise Direction (facing shaft)
Complementary Signals are also available (see ordering code)

CONNECTIONS

Function	Cable Code	12 Pin M23 Plug	9 Pin Sub-D Plug	10 Pin Mil Plug C3102
GND	white	01	01	F
Vcc	brown	02	02	D
A	green	03	03	A
B	yellow	04	04	B
Z	grey	05	05	C
\bar{A}	pink	06	06	H
\bar{B}	blue	07	07	I
\bar{Z}	red	08	08	J

ORDERING CODE

SH
120
 -

 -

 -
 Sxxx*

a b c d e f g h Resolution 1024 or 2048 ppr available

- a Group Function**
 SH = Sine-Cosine Hollow Shaft
- b Basic Series Number**
 120
- c Bore Diameter D**
 selectable from 40 to 65 mm
 40 = 40 mm, 55 = 55 mm, 60 = 60 mm
- d Mechanical Option**
 0 = None, 1 = Stainless Steel

- e Connection Type**
 0 = 2 m Cable , 7 = 12 Pin M23 Plug
 6 = 9 Pin Sub-D Plug , 9 = 10 Pin Mil Plug
- f Connection Location**
 R = Radial
- g Output Signals**
 $I = A + B + Z$ (Sin/Cos)
 $C = A + B + Z + \bar{A} + \bar{B} + \bar{Z}$ (Sin/Cos)
- h Output Circuit Type / Supply Voltage**
 Q = Op-Amp 5 VDC

*** Notes:**

Any special functions and design will be designated by a 4 digit code (Sxxx) at the end of the part number. Consult our Office for your region for further details. If this encoder does not fit your need please also consult us for help.

FURTHER INFORMATION

Accessories:

Corresponding accessories, such as couplings, measuring wheels, display modules, extension cables etc., for this encoder can be found on our homepage www.globalencoder.com under „Accessories“.

