

# IH 635

INCREMENTAL  
HOLLOW SHAFT ENCODER

Industry Standard Size 2.5"  
Shaft Mounted  
IP65 Protection  
5000 PPR Maximum  
4.75 to 30 Volts, RS 422 Compatible  
300 kHz Maximum Frequency



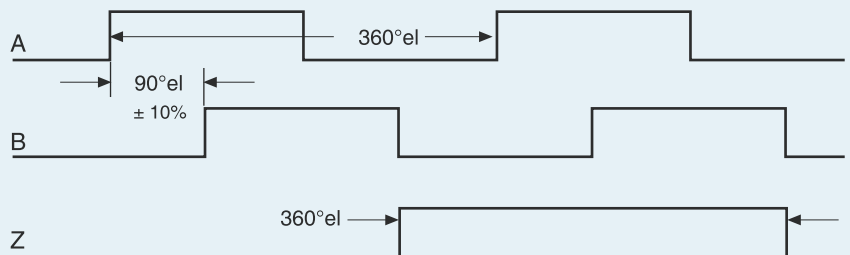
## ELECTRICAL SPECIFICATIONS

Supply Voltage	4.75-30Vdc
Current Consumption	max. 40 mA
Output Circuit	Push-Pull, RS 422A
Impulse Frequency	300 kHz (max)
Signal Level (high)	Vcc - 0.7 Volt
Signal Level (low)	0.3 Volt (max)
Short Circuit Protection	100%

## MECHANICAL SPECIFICATIONS

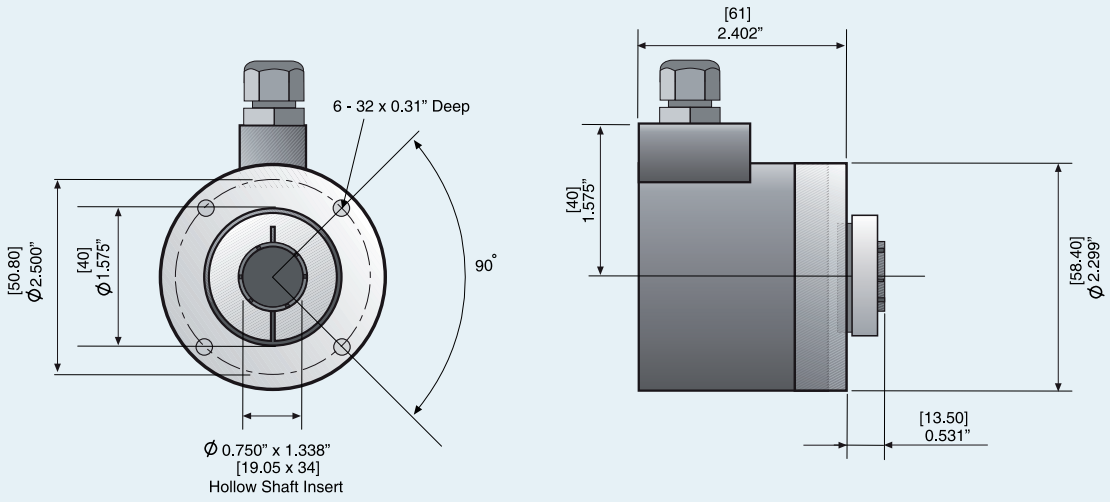
Cover	Aluminum
Body	Aluminum
Shaft	Stainless Steel
Speed	6000 RPM Max.
Torque	> 0.04 Nm
Loading	Axial 30 N, Radial 100 N
Protection	IP 65
Temperature	-20° ... +70° C (-4° ... +158° F) +100° C (+212° F) Optional
Weight	431 g (0.70 lb)

## OUTPUT SIGNALS

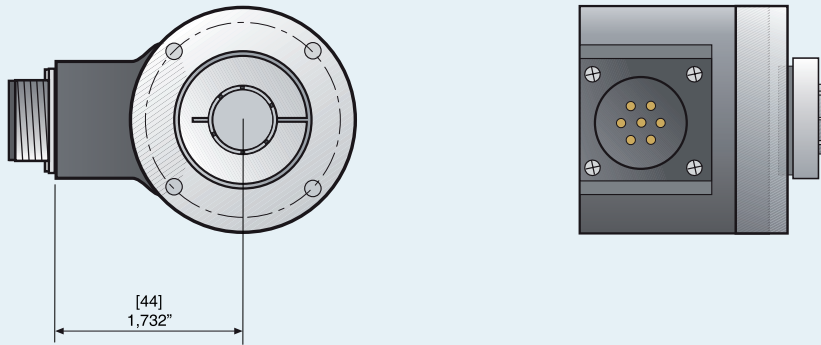


A leads B in the Clockwise Direction (facing shaft collar side)  
Complementary Signals are also available

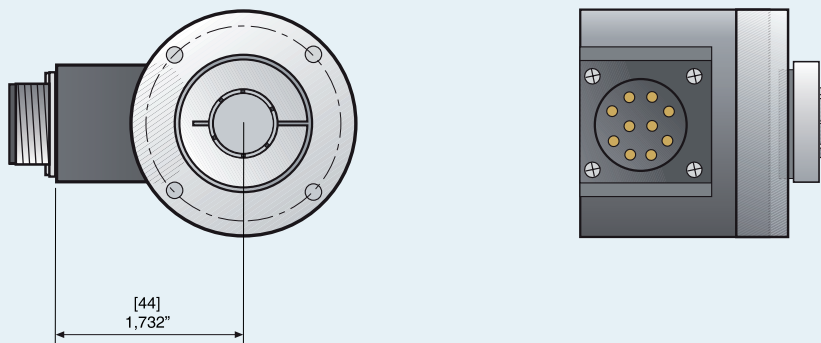
**CABLE EXIT**



**7 PIN CONNECTOR**



**10 PIN CONNECTOR**



ORDERING CODE

IH	635	-								-					
a	b		c	d	e	f	g	h			Pulses Per Revolution				

- a **Group Function**  
IH=Incremental Hollow Shaft
- b **Basic Series Number**  
635
- c **Shaft Size**  
AB=3/8", AG=3/4"
- d **Mechanical Options**  
0=None

- e **Connection Type**  
0=6' (2Mtr) Cable.  
5=7 Pin, 9=10 Pin
- f **Connection Location**  
R=Radial
- g **Output Signals**  
3=A+B+Z  
6=A+B+Z+Complementary
- h **Output Circuit Type**  
3=Push-Pull 4,75 to 30 Vdc

**Notes:**  
 Special functions and designs will be designated by a 4 digit code at the end of the part number. Consult factory for further details  
 Resolution over 2500 PPR uses interpolation circuitry  
 Please specify supply voltage 5Vdc or 8 to 30Vdc  
 See Accessories for mounting flanges and couplings.

CONNECTIONS

Function	Cable Colour Code	7 Pin CR3102A16S-1P	10 Pin CR3102R18-1P
0 Volt	white	F	F
+ Volt	brown	D	D
A	green	A	A
B	yellow	B	B
Z	grey	C	C
$\bar{A}$	pink	G	H
$\bar{B}$	blue	E	I
$\bar{Z}$	red	-	J