

# IS 635

INCREMENTAL SHAFT ENCODER

Heavy Duty Construction  
Industry Standard Size 2.5"  
IP65 Protection  
5000 PPR Maximum  
4.75 to 30 Volts, RS 422 Compatible  
300 kHz Maximum Frequency



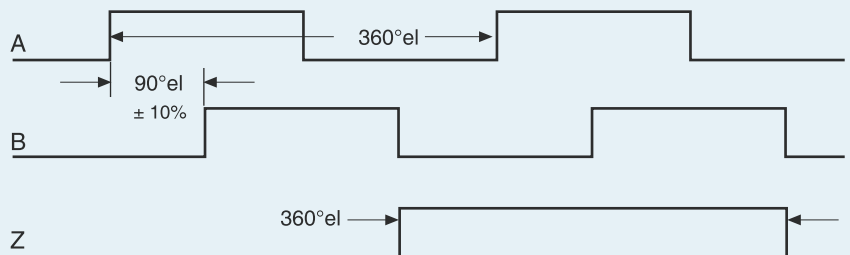
## ELECTRICAL SPECIFICATIONS

Supply Voltage	4.75-30Vdc
Current Consumption	max. 40 mA
Output Circuit	Push-Pull, RS 422A
Impulse Frequency	300 kHz (max)
Signal Level (high)	Vcc - 0.7 Volt
Signal Level (low)	0.3 Volt (max)
Short Circuit Protection	100%

## MECHANICAL SPECIFICATIONS

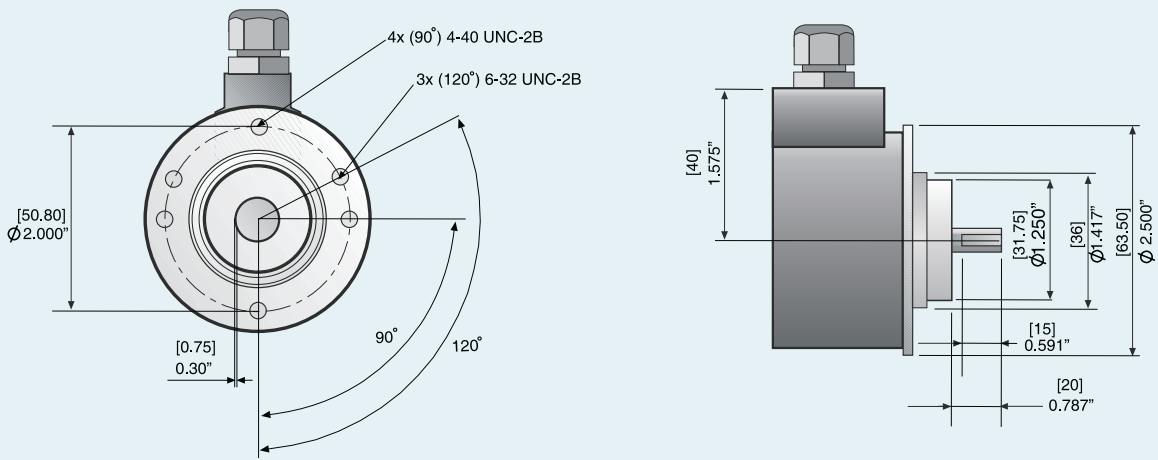
Cover	Aluminum
Body	Aluminum
Shaft	Stainless Steel
Speed	6000 RPM Max.
Torque	> 0.04 Nm
Loading	Axial 100 N, Radial 100 N
Protection	IP 65
Temperature	-20° ... +70° C (-4° ... +158° F) +100° C (+212° F) Optional
Weight	431 g (0.70 lb)

## OUTPUT SIGNALS

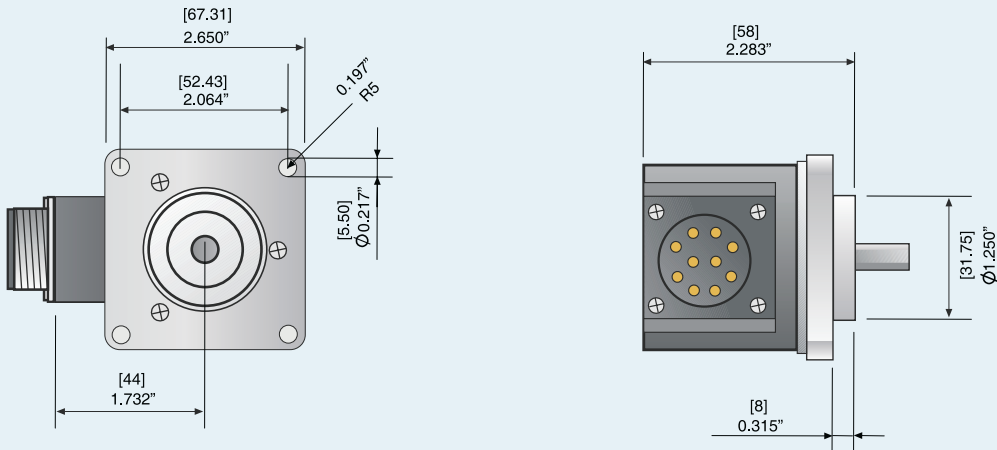


A leads B in the Clockwise Direction (facing shaft)  
Complementary Signals are also available

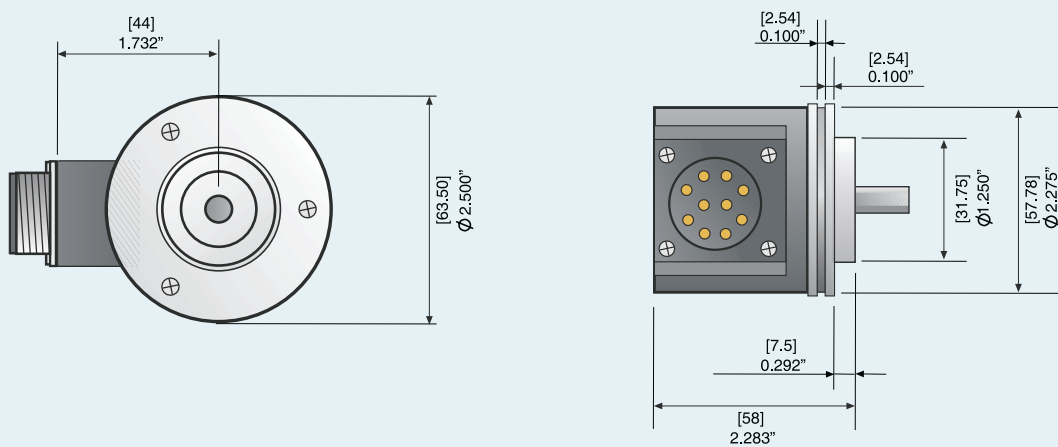
**STANDARD MOUNTING CONFIGURATION (Shown with cable exit)**



**MOUNTING OPTION 1 (Shown with 10 pin connector)**



**MOUNTING OPTION 2 (Shown with 10 pin connector)**



ORDERING CODE

IS 635 -       -

a b c d e f g h Pulses Per Revolution

- a **Group Function**  
IS=Incremental Shaft Encoder
- b **Basic Series Number**  
635
- c **Shaft Size**  
AA=1/4", AB=3/8"  
06=06 mm, 10=10 mm, 12=12 mm
- d **Mechanical Options**  
0=None, Q=Mounting Option 1  
W=Mounting Option 2

- e **Connection Type**  
0=6' (2Mtr) Cable.  
5=7 Pin, 9=10 Pin
- f **Connection Location**  
A=Axial, R=Radial
- g **Output Signals**  
3=A+B+Z  
6=A+B+Z+Complementary
- h **Output Circuit Type**  
3=Push-Pull 4,75 to 30 Vdc

**Notes:**  
Special functions and designs will be designated by a 4 digit code at the end of the part number. Consult factory for further details  
Resolution over 2500 PPR uses interpolation circuitry  
Please specify supply voltage 5Vdc or 8 to 30Vdc  
See Accessories for mounting flanges and couplings.

CONNECTIONS

Function	Cable Colour Code	7 Pin CR3102A16S-1P	10 Pin CR3102R18-1P
0 Volt	white	F	F
+ Volt	brown	D	D
A	green	A	A
B	yellow	B	B
Z	grey	C	C
$\bar{A}$	pink	G	H
$\bar{B}$	blue	E	I
$\bar{Z}$	red	-	J