

MH360

**SSI ABSOLUTE MULTI-TURN
HOLLOW SHAFT ENCODER**

Compact Industrial Construction
Magnetic Sensing
Maintenance Free
IP65 Protection
5 Vdc or 10 to 30 Vdc Supply Voltage
Binary or Gray SSI



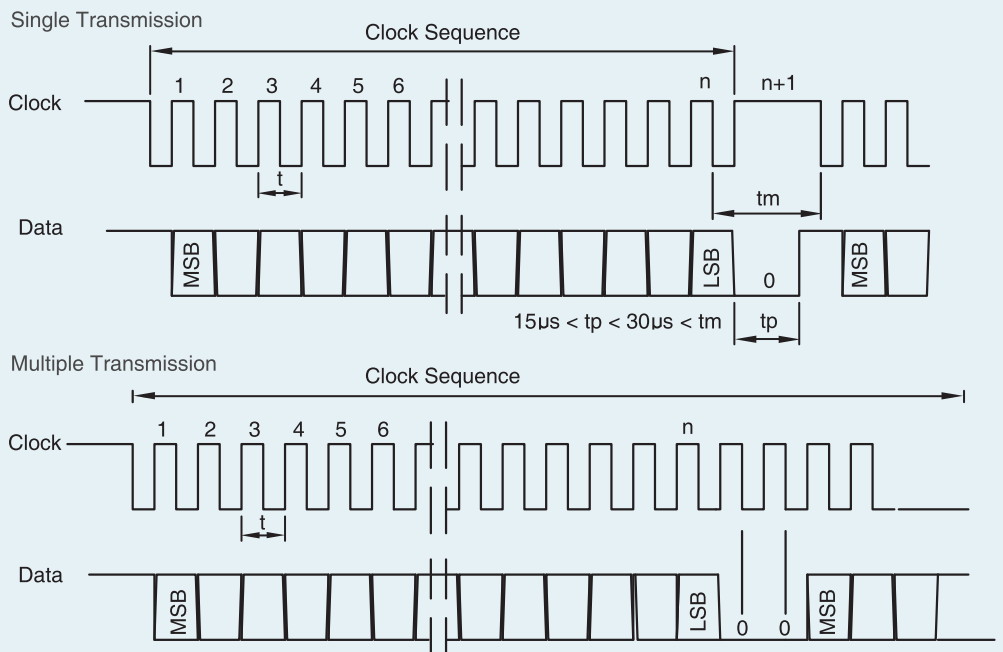
ELECTRICAL SPECIFICATIONS

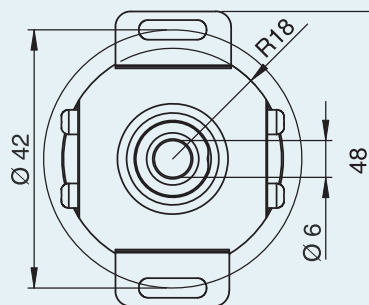
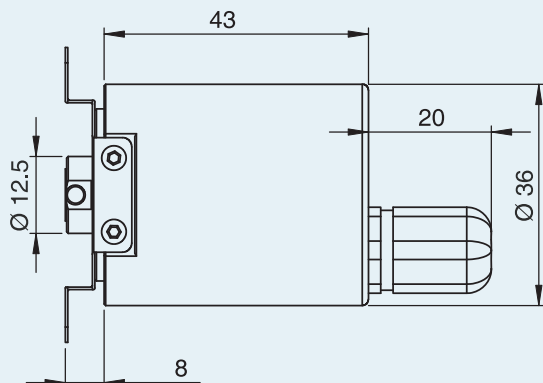
Supply Voltage	4.75 to 5.25 Vdc or 10 to 30 Vdc
Current Consumption	80 mA @ 5 Vdc 50 mA @ 30 Vdc
Output Circuit	RS485/RS422 Compatible
Clock Frequency	100 kHz up to 500 kHz up to 2 MHz on request
Turn on Time	1.5 sec.
Single-Turn Resolution	14 Bits (Max)
Multi-Turn Resolution	14 Bits (Max) <i>(Consult factory for other resolutions)</i>

MECHANICAL SPECIFICATIONS

Cover	Chrome Plated Steel
Body	Aluminum
Shaft	Stainless Steel
Maximum RPM	12,000 RPM
Torque	> 0.03 Nm
Shaft Loading	Axial 50 N, Radial 80 N
Enclosure Rating	IP 65
Operating Temp.	-40°C...85°C (-40°F...185°F)
Storage Temp.	-40°C...100°C (-40°F...212°F)
Weight	0.264 lb (120 g)

SSI TRANSMISSION PROTOCOL





blind hole 6H7 x 16

ORDERING CODE

MH 360 - - x
 a b c d e f g h Single-Turn Resolution (bits) Multi-Turn Resolution (bits)

a Group Function
 MH=Absolute Multi-Turn Hollow Shaft

b Basic Series Number
 360

c Shaft Diameter
 06=6 mm

d Mechanical Options
 0=None

e Connection Type
 0=6 ft. (2 mtr) Cable, Q=8 Pin M12 Connector

f Connection Position
 A=Axial
 R=Radial

g Output Signals
 J=Binary Code
 Y=Gray Code

h Output Circuit / Supply Voltage
 F=SSI - 5 Vdc
 G=SSI 10 to 30 Vdc

Note:
 Special functions and designs will be designated by a 4 digit code at the end of the part number. Consult factory for details.

For alternate mounting accessories please visit to our website product accessory page.

CONNECTIONS

Function	Cable Color Code	8 Pin M12 Connector
GND	WHITE	1
+ Vcc	BROWN	2
SSI Clock +	GREEN	3
SSI Clock -	YELLOW	4
SSI Data +	GREY	5
SSI Data -	PINK	6
Preset	BLUE	7 (+Vcc for 2 sec. to set Preset)
Direction	RED	8 (CW=Gnd - CCW=+Vcc)