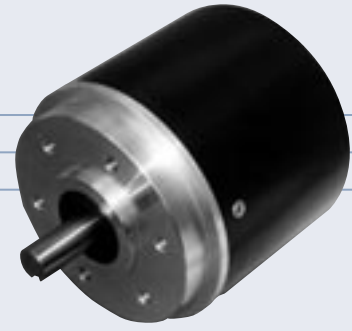


# AS 900

ABSOLUTE SHAFT ENCODER

Heavy Duty Construction  
 IP65 Protection  
 Up to 13 Bits (8192) Maximum  
 Gray Code or Binary Code



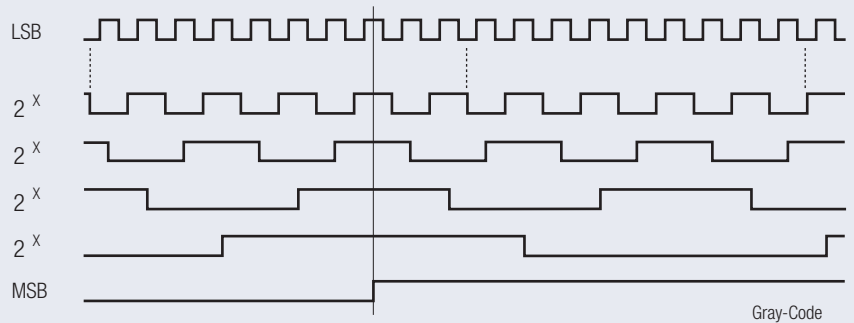
## ELECTRICAL SPECIFICATIONS

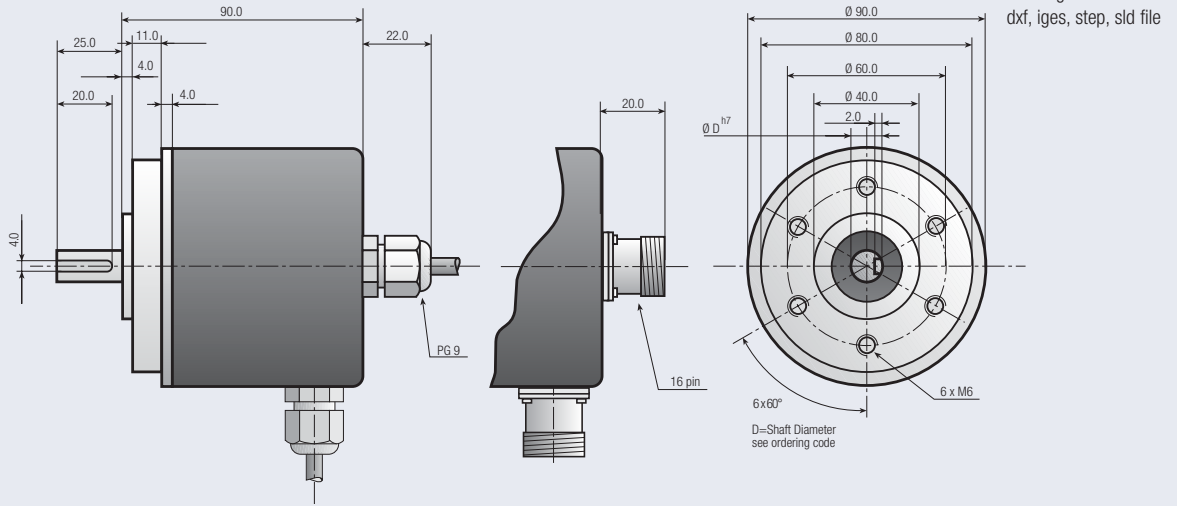
Supply Voltage	5 Volt or 8 to 30 V DC
Current Consumption	120 mA (max)
Output Circuit	Push-Pull, RS 422A
Impulse Frequency	200 kHz (max)
Logic Level (high)	Vcc - 0.7 Volt
Logic Level (low)	0.25 Volt (max)
Short Circuit Protection	100 %

## MECHANICAL SPECIFICATIONS

Cover	Steel
Body	Aluminium
Shaft	Stainless Steel
Speed	6000 RPM (max)
Torque	> 0.1 Nm
Loading	Axial 60 N, Radial 50 N
Protection	IP 65
Temperature	-20°...+70° C (-4°...+158° F) +100° C (+212° F) Optional
Weight	1.91 lb (850 g)

## OUTPUT SIGNALS





**ORDERING CODE**

AS 900 -         -

a b c d e f g h Increments Per Revolution

- a **Group Function**  
AS=Absolute Solid Shaft
- b **Basic Series Number**  
900
- c **Shaft Size D**  
10=10 mm  
12=12 mm
- d **Mechanical Options**  
0=None

- e **Connector Type**  
0=2 mtr. Cable  
8=16Pin
- f **Connector Location**  
A=Axial  
R=Radial
- g **Output Signals**  
E=Binary <->  
F=Gray <->
- h **Output Circuit Type**  
1=TTL (5 VDC)  
5=Push Pull 8 to 30 VDC

**Note:** Special functions and designs will be designated by a 4 digit code at the end of the part number. Consult factory for further details

**CONNECTIONS**

Function	16 Pin Connector	Cable Colour Code	Function	16 Pin Connector	Cable Colour Code
0 Volt	1	white	2 <sup>7</sup>	10	violet
+ Volt	2	brown	2 <sup>8</sup>	11	grey/pink
2 <sup>0</sup>	3	green	2 <sup>9</sup>	12	red/blue
2 <sup>1</sup>	4	yellow	2 <sup>10</sup>	13	white/green
2 <sup>2</sup>	5	grey	2 <sup>11</sup>	14	brown/green
2 <sup>3</sup>	6	pink	2 <sup>12</sup>	15	white/yellow
2 <sup>4</sup>	7	blue	Reset	-	yellow/brown
2 <sup>5</sup>	8	red	<->	16	white/gray
2 <sup>6</sup>	9	black	Earth	-	striped