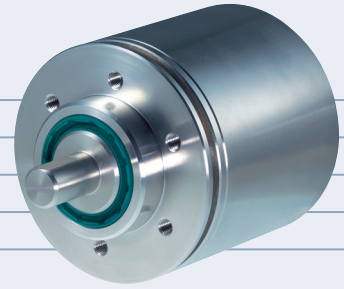


AX 700



ABSOLUTE FLAMEPROOF ENCODER EEx d I/II T6 (Tamb 60°C)
 IP 66/67 – M/S
 Heavy Duty Construction
 Up to 12 Bits (4096)
 5 Volt TTL or 8 to 30 Volts
 Gray Code or Binary Code



APPROBATIONS / CERTIFICATIONS

Certification Number	DEMKO 02 ATEX 133213X
	EX I/II G D
EN 50014	1197 E incl. A1+A2
EN 50018	2000E
EEx d IIC T6	(Tamb +60°C)
EEx d IIC T4	(Tamb +100°C)
	EEx d I

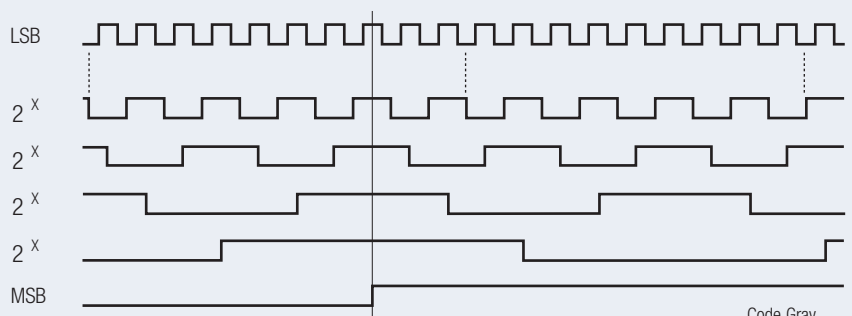
ELECTRICAL SPECIFICATIONS

Supply Voltage	5 Volt TTL or 8 to 30 V DC
Current Consumption	100 mA max
Output Circuit	Push-Pull, RS 422A
Impulse Frequency	200 kHz (max)
Logic Level (high)	Vcc - 0.7 Volt
Logic Level (low)	0.25 Volt (max)
Short Circuit Protection:	100 %
Cable	Mechanically and Chemically Resistant Flame Retardant – Screened

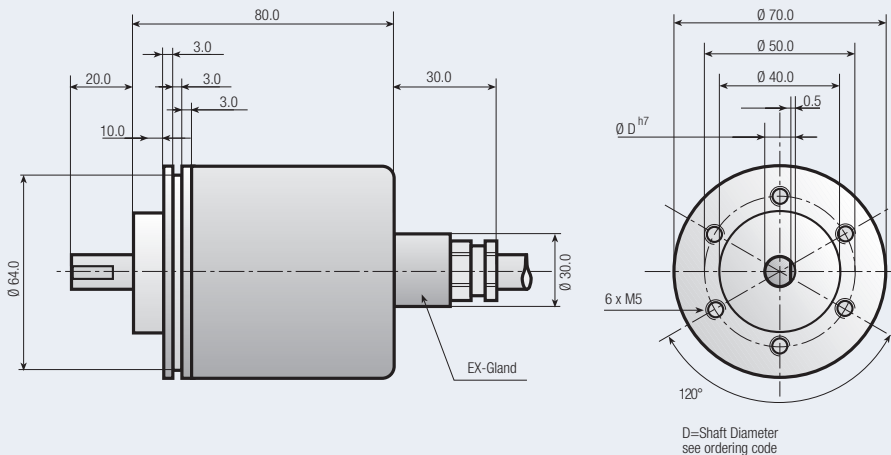
MECHANICAL SPECIFICATIONS

Cover	316 Stainless Steel
Body	316 Stainless Steel
Shaft	316 Stainless Steel
Speed	6000 RPM (max)
Torque	> 0.4 Nm
Loading	Axial 60 N, Radial 50 N
Protection	IP 66/67 – M/S
Temperature	-20°...+70°C (-4°...+158°F)
Weight	(2.866 lb) 1300 g

OUTPUT SIGNALS



Drawing available as:
dxf, iges, step, sld file



ORDERING CODE

AX 700 - -

a b c d e f g h Pulses Per Revolution

- a **Group Function**
AX=Absolute Exlpsion Proof
- b **Basic Series Number**
700
- c **Shaft Size**
10=10 mm
12=12 mm
- d **Mechanical Options**
0=None

- e **Connector Type**
0=2 mtr. (6 ft) Cable
- f **Connector Location**
A=Axial
- g **Output Signals**
E=Binary <->
F=Gray <->
- h **Output Circuit Type**
1=TTL (5 VDC)
5=Push Pull 8 to 30 VDC

Note: Special functions and designs will be designated by a 4 digit code at the end of the part number. Consult factory for further details

CONNECTIONS

Function	Cable Colour Code	Function	Cable Colour Code
0 Volt	white	2 ⁶	black
+ Volt	brown	2 ⁷	violet
2 ⁰	green	2 ⁸	grey/pink
2 ¹	yellow	2 ⁹	red/blue
2 ²	grey	2 ¹⁰	white/green
2 ³	pink	2 ¹¹	brown/green
2 ⁴	blue	Reset	yellow/brown
2 ⁵	red	<->	white/gray