

# CH 840

COMMUTATION HOLLOW SHAFT ENCODER

Heavy Duty Construction  
 Shaft Mounted (with Key Way)  
 2048 PPR Maximum  
 DC Motor Commutation Signals  
 200 kHz Maximum Frequency



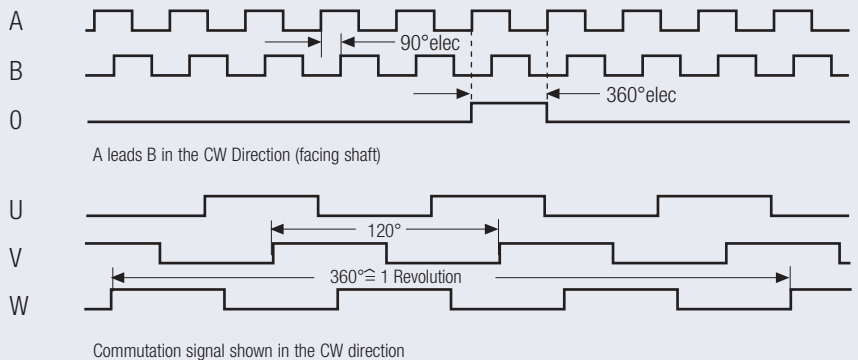
## ELECTRICAL SPECIFICATIONS

Supply Voltage	5- 15 Volt or 10- 30 VDC
Current Consumption	100 mA (max)
Output Circuit	Push-Pull, RS 422A
Impulse Frequency	200 kHz (max)
Logic Level (high)	Vcc - 0.7 Volt
Logic Level (low)	0.25 Volt (max)
Short Circuit Protection	100 %

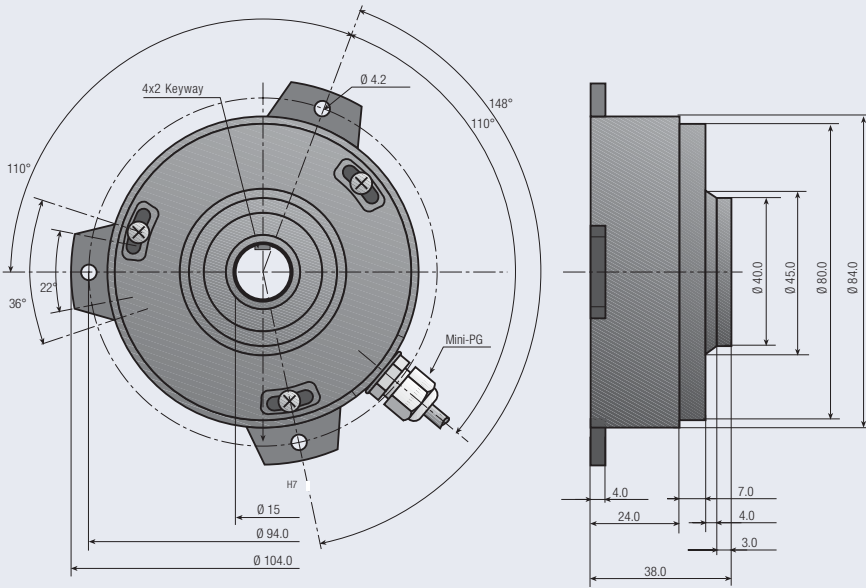
## MECHANICAL SPECIFICATIONS

Cover	Plastic (Noryl)
Body	Plastic (Noryl)
Shaft	Plastic (Noryl)
Speed	6000 RPM (max)
Torque	> 0.04 Nm
Loading	Axial 20 N, Radial 30 N
Protection	IP 65
Temperature	-20°...+70° C (-4°...+158° F) +100° C (+212° F) Optional
Weight	0.27 lb (130 g)

## OUTPUT SIGNALS



Drawing available as:  
dxf, iges, step, sld file



ORDERING CODE

**CH 840** -         -

a b c d e f g h Pulses Per Revolution

- a **Group Function**  
CH=Commutation Hollow Shaft
- b **Basic Series Number**  
840
- c **Shaft Size D**  
12=15 mm
- d **Mechanical Options**  
0=None

- e **Connector Type**  
0=2 mtr. Cable
- f **Connector Location**  
R=Radial
- g **Output Signals**  
A=A+B+0+U+V+W  
B=A+B+0+U+V+W+Compliments
- h **Output Circuit Type**  
6=5 to 15 VDC 7=10 to 30 VDC

**Note:** Special functions and designs will be designated by a 4 digit code at the end of the part number. Consult factory for further details

CONNECTIONS

Function	Cable Colour Code	Function	Cable Colour Code
0 Volt	white		
+ Volt	brown		
A	green	$\bar{A}$	black
B	yellow	$\bar{B}$	violet
0	grey	$\bar{0}$	grey/pink
U	pink	$\bar{U}$	red/blue
V	blue	$\bar{V}$	white/green
W	red	$\bar{W}$	brown/green