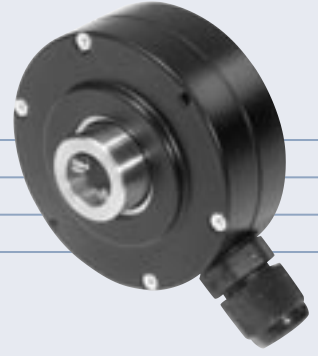


# IH 581

INCREMENTAL HOLLOW SHAFT ENCODER

Industry Standard Size 25  
 Shaft Mounted  
 10000 PPR Maximum  
 4.75 to 30 Volts, RS 422 Compatible  
 200 kHz Maximum Frequency



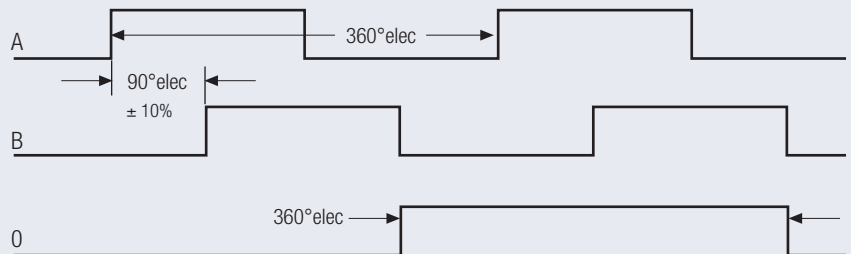
## ELECTRICAL SPECIFICATIONS

Supply Voltage	4.75-30 V DC
Current Consumption	40 mA (max)
Output Circuit	Push-Pull, RS 422A
Impulse Frequency	200 kHz (max)
Logic Level (high)	Vcc - 0.7 Volt
Logic Level (low)	0.25 Volt (max)
Short Circuit Protection	100 %

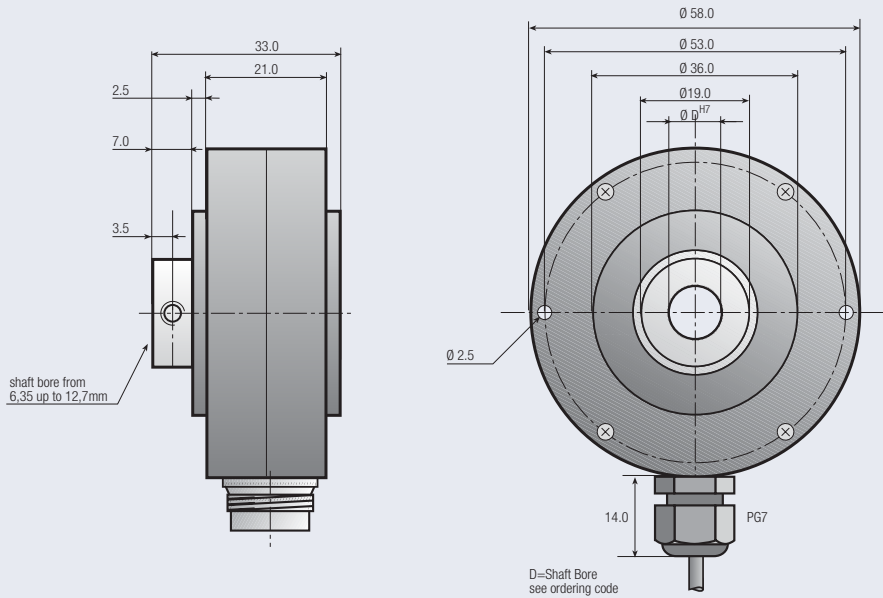
## MECHANICAL SPECIFICATIONS

Cover	Aluminium
Body	Aluminium
Shaft	Stainless Steel
Speed	6000 RPM (max)
Torque	> 0.04 Nm
Loading	Axial 20 N, Radial 15 N
Protection	IP 65
Temperature	-20°...+70° C (-4°...+158° F) +100° C (+212° F) Optional
Weight	0.55 lb (250 g)

## OUTPUT SIGNALS



A Leads B in the CW Direction (facing shaft)  
 Complimentary channel also available



Drawing available as:  
dxf, iges, step, sld file

ORDERING CODE

**IH 581** -          -

a      b      c      d      e      f      g      h      Pulses Per Revolution

- a Group Function**  
IH=Incremental Hollow Shaft
- b Basic Series Number**  
581
- c Shaft Size D**  
06=6 mm 10=10 mm 12=12mm  
AB=3/8" AC=1/2"
- d Mechanical Options**  
0=None

- e Connector Type**  
0=2 mtr. (6ft.) Cable  
J=8 Pin
- f Connector Location**  
R=Radial
- g Output Signals**  
3=A+B+0  
6=A+B+0+Compliments
- h Output Circuit Type**  
3=Push Pull 4.75 to 30 VDC

**Note:** Special functions and designs will be designated by a 4 digit code at the end of the part number. Consult factory for further details

CONNECTIONS

Function	Cable Colour Code	12 Pin Connector
0 Volt	white	1
+ Volt	brown	2
A	green	3
B	yellow	4
0	grey	5
$\bar{A}$	pink	6
$\bar{B}$	blue	7
$\bar{0}$	red	8