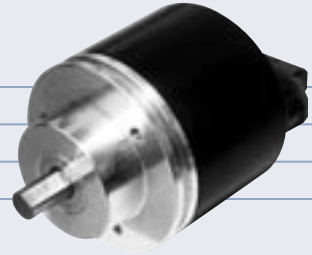


XS 410

SPECIAL FUNCTION SHAFT ENCODER

Compact Construction
 IP54 (Optional IP65 Protection)
 Direction Output Signal
 4096 PPR Maximum
 100 kHz Maximum Frequency



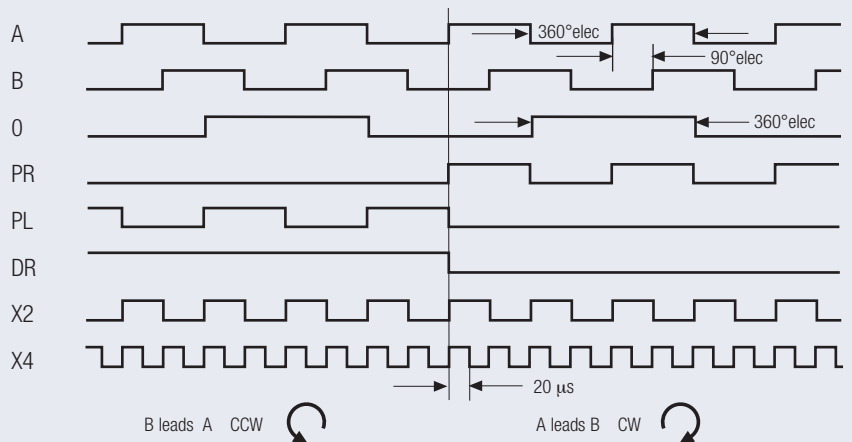
ELECTRICAL SPECIFICATIONS

Supply Voltage	5 Volt TTL or 8 to 30 V DC
Current Consumption	40 mA (max)
Output Circuit	Push-Pull, RS 422A
Impulse Frequency	200 kHz (max)
Logic Level (high)	Vcc - 0.7 Volt
Logic Level (low)	0.25 Volt (max)
Short Circuit Protection	100 %

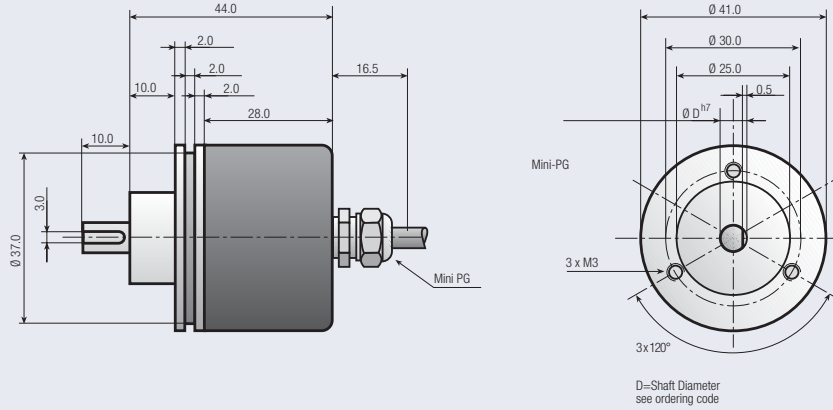
MECHANICAL SPECIFICATIONS

Cover	Aluminium
Body	Aluminium
Shaft	Stainless Steel
Speed	6000 RPM (max)
Torque	> 0.04 Nm
Loading	Axial 40 N, Radial 30 N
Protection	IP 54
Temperature	-20°...+70°C (-4°...+158°F) +100°C (+212°F) Optional
Weight	0.27 lb (130 g)

OUTPUT SIGNALS



Drawing available as:
dxf, iges, step, sld file



ORDERING CODE

XS 410 - -

a b c d e f g h Pulses Per Revolution

- a Group Function**
XS=Special Function Solid Shaft
- b Basic Series Number**
410
- c Shaft Size D**
06=6 mm
AA=1/4"
- d Mechanical Options**
0=None

- e Connector Type**
0=2 mtr. Cable
- f Connector Location**
A=Axial
- g Output Signals**
7=A+PL+PR+DR
8=A+B+0+PR+PL+DR+X2+X4
- h Output Circuit Type**
1=TTL (5 VDC)
5=Push Pull 8 to 30 VDC

Note: Special functions and designs will be designated by a 4 digit code at the end of the part number. Consult factory for further details

CONNECTIONS

Function	Cable Colour Code
0 Volt	white
+ Volt	brown
A	green
B	yellow
0	grey.
PR	pink
PL	blue
X2	red
X4	black
DR	violet
Earth	gray/pink