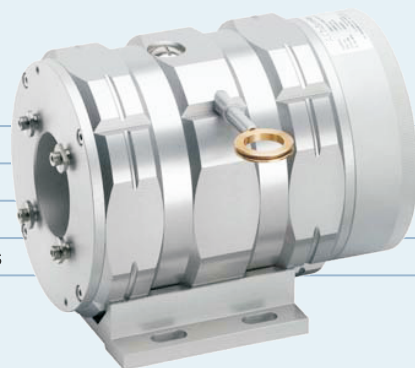


DWS1210

DRAW WIRE ENCODER
SYSTEM

- Heavy Duty Construction
- Easy to Mount
- Range of Encoder Mounting Options
- Measure up to 10 meter length
- Incremental or Absolute Measurements
- High Flex Stainless Steel Wire



MECHANICAL SPECIFICATIONS

Body	Aluminum
Cable	Stainless Steel
Drum Circumference	300 mm/turn
Measurement Length	0 mm to 10,000 mm
Cable Diameter	0.90 mm
Linearity (Standard)	+/-0.05% fs
Linearity (Optional)	+/-0.01% fs
Velocity(Max)	10 m/s
Acceleration(Max)	5 m/s (before cable deformation)
Operating Temp.	-20°C to +80°C
Storage Temp.	-30°C to +80°C
Weight	6 kg

ORDERING CODE

DWS 1210 - [] [] [] [] [] [] [] - [] [] []
a b c d e f g h Encoder Resolution

a **Group Function**
DWS=Draw Wire System

b **Basic Series Number**
1210

c **Measurement Length**
025=2500 mm, 050=5000 mm
060=6000 mm, 100=10000 mm

d **Linearity**
0=+/- 0.05% full scale (standard)

e **Measurement Type**
I=Incremental Encoder
B=Absolute Encoder - Binary Code
G=Absolute Encoder - Gray Code

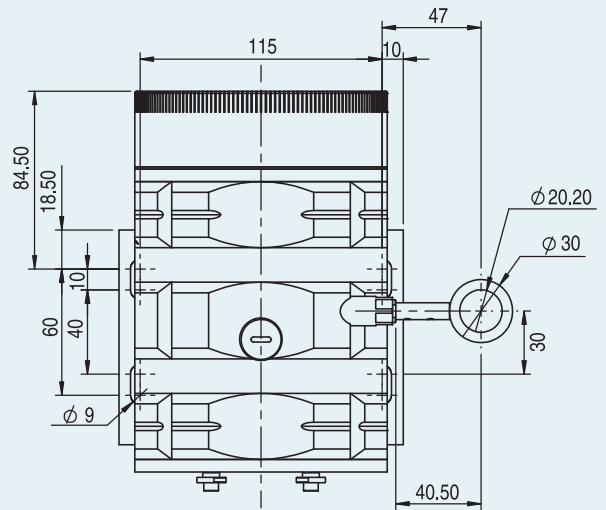
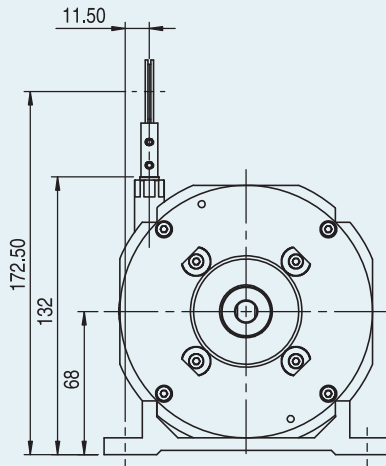
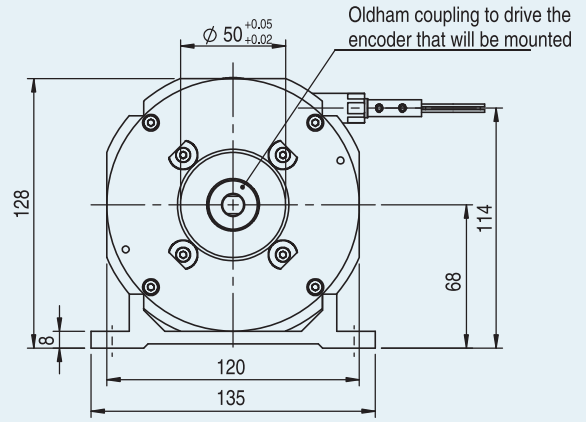
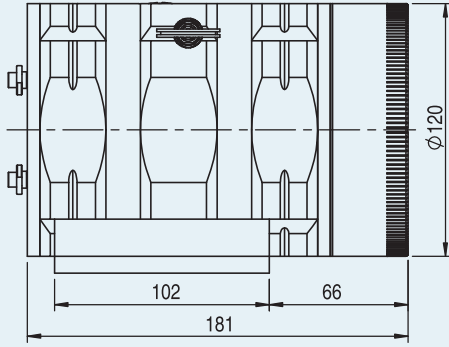
f **Connection Type**
0=Cable (2 meter), 7=12 Pin

g **Output Signals**
3=A+B+Z
6=A+B+Z+Complementary
J=Binary Code - SSI
Y=Gray Code - SSI

h **Output Circuit Type**
1=Push-Pull 5 Vdc
3=Push-Pull 4,75 to 30 Vdc
5=Push-Pull 8 to 30 Vdc
F=SSI 5 Vdc
G=SSI 10 to 30 Vdc

Notes:

To determine encoder resolution use the following formula:
Drum Circumference / Resolution (mm) = Encoder PPR



CONNECTIONS FOR INCREMENTAL ENCODERS

Function	Cable Colour Code	12 Pin Connector
0 Volt	white	1
+ Volt	brown	2
A	green	3
B	yellow	4
Z	grey	5
\bar{A}	pink	6
\bar{B}	blue	7
\bar{Z}	red	8

CONNECTIONS FOR SSI ABSOLUTE ENCODERS

Function	Cable Color Code	12 Pin Connector
GND	WHITE	1
+ Vcc	BROWN	2
SSI Clock +	GREEN	3
SSI Clock -	YELLOW	4
SSI Data +	GREY	5
SSI Data -	PINK	6
Reset/Preset	BLUE	7
Direction Setting	RED	8